



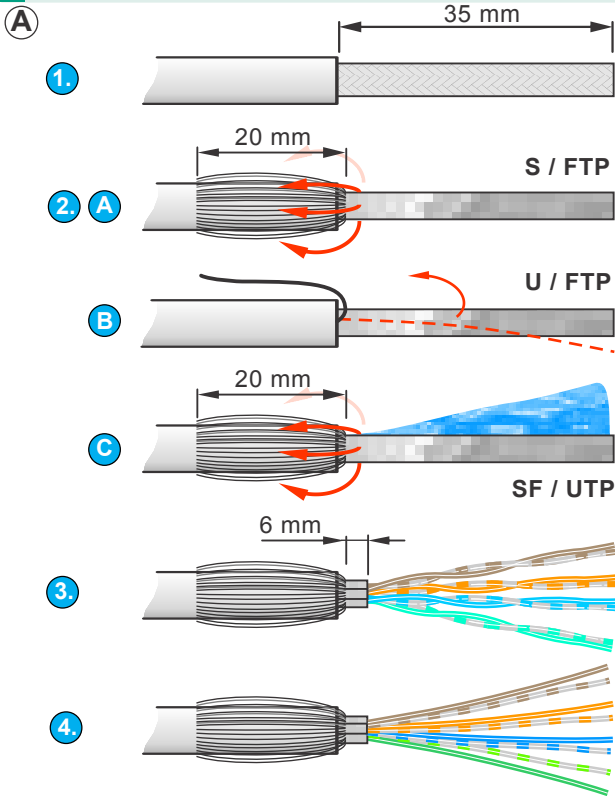
ASSEMBLY INSTRUCTION

etherCON | CAT6A Chassis Connector

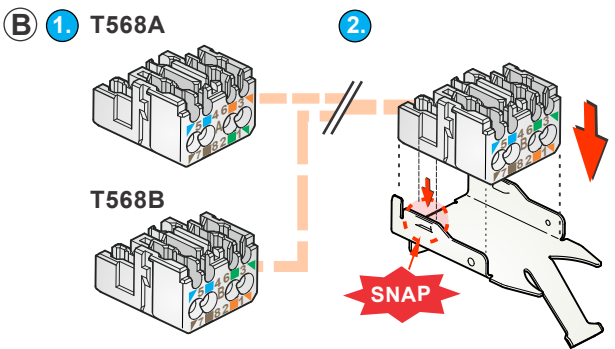
Tools:

- HX-CAT6A or Parallel Presstool
- Side cutter

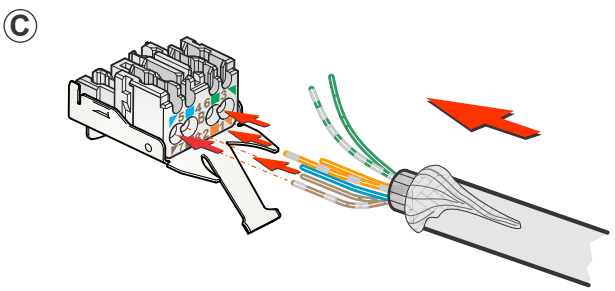
Wire size: Solid: AWG 26/1 - AWG 22/1
Stranded: AWG 26/7 - AWG 22/7
Insulation Diameter: > 0.85 - 1.60 mm



- A** 1. Prepare the cable as shown and strip the jacket at a length of 35 mm.
2. **A. S / FTP**
Cut off braided shield to approx 20 mm and fold the shield backwards.
- B. U / FTP**
Remove the foil of the paired wires and bend back the drain wire for easier handling during assembly. Drain wire to be used for grounding.
- C. SF / UTP**
Cut off braided shield to approx 20 mm and fold the shield backwards. Cut and remove the foil screen.
3. Remove the pair screening (if existing) to max. 6 mm.
4. Presort, untwist and straighten the wires as shown. Unstraightened wires could potentially harm the IDC.

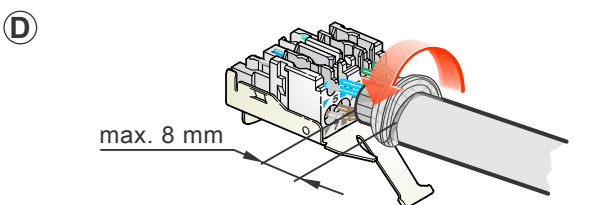


- B** 1. Delivery condition:
Wire management T568A & T568B disassembled.
2. Depending on designated wiring standard, press either T568A or T568B – wire management into the grounding sheet metal until you hear a snap.

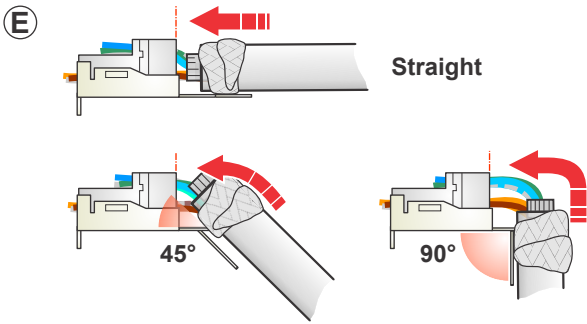


- C** Insert the wires into the designated position of the wire management as per below wiring scheme, either T568A or T568B.

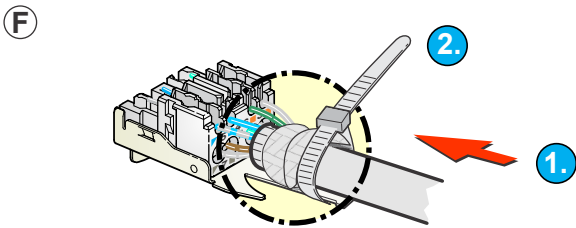
Component side!	Connection		RJ 45 PIN No.
	T568A	T568B	
5	W - G	W - O	1
4	G	O	2
6	W - O	W - G	3
3	BL	BL	4
	W - BL	W - BL	5
	O	G	6
7	W - BR	W - BR	7
8	BR	BR	8



- D** Wrap the braided shield or drain wire around the cable jacket (max. 8 mm).

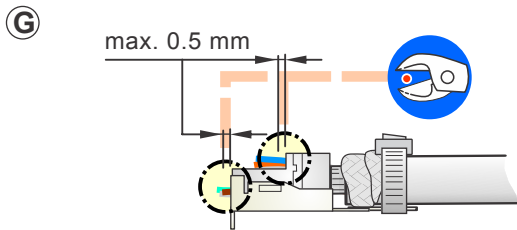


E Attention:
The distance between the cable jacket and the wire management shall be as short as possible.

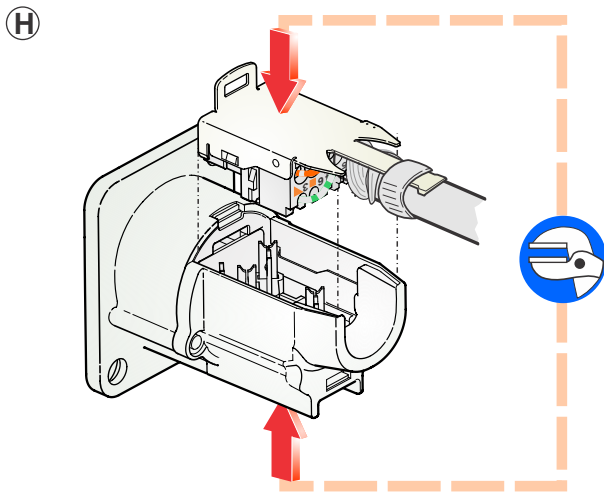


F Apply the cable tie for strain relief and after tightening cut off the excess length.

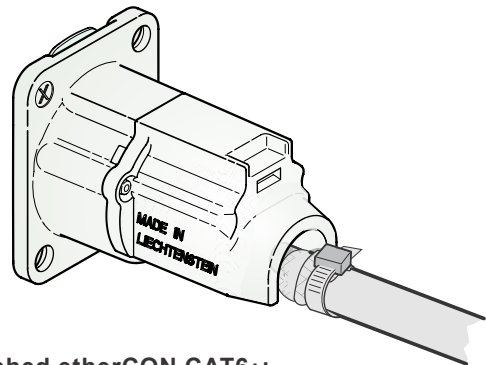
Attention:
Braided shield or drain wire must be covered by the cable tie.



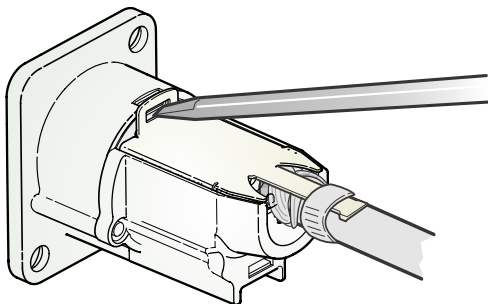
G Cut all wires with a wire cutter.
Allow wires to protrude max. 0.5 mm.



H Use the HX-CAT6A or pliers wrench to press the wire management and housing together.



Finished etherCON CAT6A:



Open the connector:

Open the wire management via the designated lug by help of a flat screwdriver.