



# User Manual

---

## ArtGate DMX-Ethernet converters

RGS-X-DB-AC, RGS-X-2D2B-AC, RGS-X-DB-DC, RGS-X-2D2B-DC,  
RGA-0-DB-AC, RGA-0-2D2B-AC, RGA-0-DB-DC, RGA-0-2D2B-DC,  
RGS-X-4D2B-AC, RGS-X-4D2B-DC, RGA-0-4D2B-AC, RGA-0-4D2B-DC, GJP-5-8D5EF

# Contents

|                        |    |
|------------------------|----|
| Specifications         | 3  |
| General information    | 4  |
| Safe operation         | 4  |
| Merging                | 5  |
| Input processing       | 6  |
| Standalone merger      | 6  |
| Trigger inputs         | 6  |
| Connection types       | 6  |
| Web interface settings | 8  |
| Main settings          | 9  |
| Advanced settings      | 10 |
| Network settings       | 12 |
| Profiles               | 13 |
| Firmware update        | 13 |
| Technical maintenance  | 14 |

# Specifications

|                         |   |
|-------------------------|---|
| DMX512 interfaces       | 1, 2, 4, 8 or 16  |
| Supported protocols     | DMX512, RDM (E1.20), ArtNet (I,II,III,4), sACN (E1.31, draft and release), KiNet (v1 and v2) RTTrPL, HTTP, etc. |
| DMX data refresh rate   | 44 Hz default, may be changed if necessary  |
| I/O connectors          | Depends on the modification   |
| Max current consumption | 0.1 A   |
| Setup                   | web interface, specialized software ArtGate, ArtNet standard tools  |
| Power supply            | ~90-250 V, 50/60 Hz or Power-over-Ethernet (PoE)  |
| Fuse                    | 0.1 A   |

# General information

ArtGate is the series of full-featured converters for converting network protocols ArtNet and sACN to light fixtures control protocol DMX512. Through their 1, 2, 4, 8, 12 or 16 DMX ports, LAN interface and Optical port (ArtJet Pro and GigaJet Pro), the devices transmit and receive DMX512 data streams via Ethernet LAN functioning in 10Base-T or 100Base-T mode (100Base-FX in ArtJet Pro, 1000Base-FX in GigaJet Pro).

Compatibility with ArtNet and sACN protocols enables the use of ArtGate devices in a network of heterogeneous devices from other manufacturers.

As well as the standard broadcast data transfer ArtNet, ArtGate devices also support point-to-point data transfer in the local network or via the Internet. Address settings of the device (name, SubNet, Universe) and network settings (IP address, subnet mask, UDP-port), standard software tools for ArtNet networks, such as DMX Workshop, as well as using the web based interface.

Web-interface allows changing advanced settings of ArtGate devices not covered by the ArtNet standard, such as:

- DMX signal direction and merge mode for each port
- physical characteristics (timing) of DMX512 signal
- data stream transmission and reception modes in ArtNet network

In addition, specialized utility software allows advanced users to assign custom MAC address to the Ethernet interface of the device and restore default settings of the device. ArtGate series is powered by AC ~90-250 V, 50/60 Hz, or from Ethernet using the Power-over-Ethernet technology (depends on modification).

## Safe operation

In installation, operation, preventive maintenance and repairs of the device, the requirements of the safety rules must be followed.

To ensure safe and reliable operation of the devices, please observe the following requirements:

- Use the device only for its intended purpose;
  - Do not use devices that shows signs of malfunctioning;
  - Avoid strong physical impacts on the device;
  - Protect devices and cables from contact with corrosive liquids.
- Whenever a fault is detected in the device, please contact the manufacturer.

### Warning!

The device uses hazardous voltage AC 90-250V

# Merging

**HTP:** highest takes precedence

**LTP:** latest takes precedence

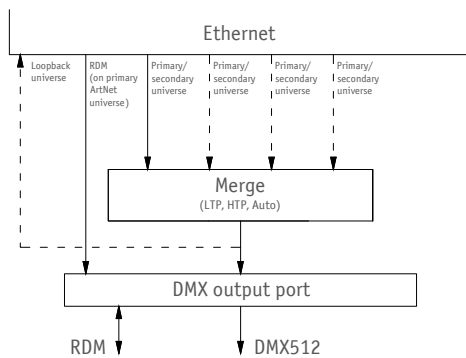
**AUTO:** last modified takes precedence - intelligent merging mode

**PRIORITY:** for sACN streams with priority tag

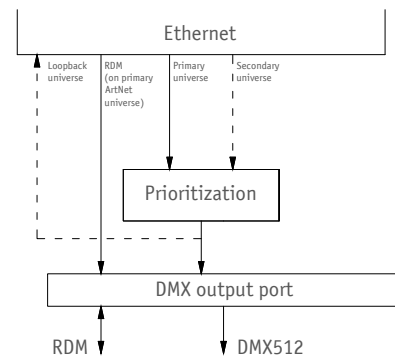
**BACKUP:** primary/secondary universe backup

**TRIGGER and X-FADE:** dedicated channel / dedicated universe controllable merging

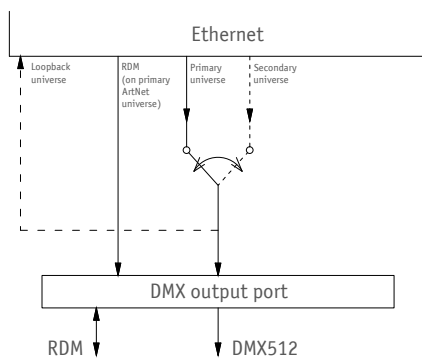
Merging and other output ports procedures for different merge modes are shown in Pic2, Pic3, Pic4, Pic5.



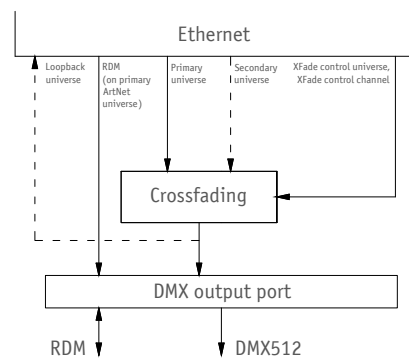
**Pic.2** Output port procedures for LTP,HTP, Auto modes



**Pic.3** Output port procedures for Priority mode



**Pic.4** Output port procedures for Backup mode



**Pic.5** Output port procedures for Trigger and XFade modes

# Input processing

When configured as input, DMX port of ArtGate can convert DMX512 signal to ArtNet, sACN or other type of universe. Universe type and protocol for input ports is always taken from primary universe settings. Input port can respond to RDM requests. Each port of one device has it's own RDM UID.

# Standalone merger

ArtGate devices may be used as standalone (without permanent Ethernet connection) mergers. When 2 or more input ports are configured with the same universe protocol/number, DMX streams from them can be merged and outputted to another output port which must have the same protocol/number too to provide such feature. This configuration may work even if device is not connected to Ethernet.

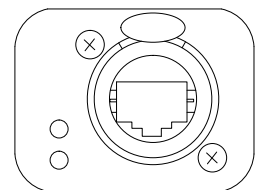
# Trigger inputs

Some ArtGate models have trigger feature. When trigger is activated, static scene stored in non-volatile memory is recalled and set for all DMX ports. Trigger is activated via "dry contact" inputs, which can be configured for working with normally opened and normally closed sensors (smoke sensors, buttons, etc). Each Trigger input can be also configured as alarm input. When alarm is activated, device returns to normal work only after power cycle or manual reset, not just input deactivation. By default, static scenes for all triggers are "all channels to 100%". User can set up the custom scene on all used DMX ports and then capture and save the scene for necessary trigger.

# Connection types

## Ethernet connection

Device is connected to the network via RJ-45. All ArtGate devices have two LEDs to indicate the status of the network connection.

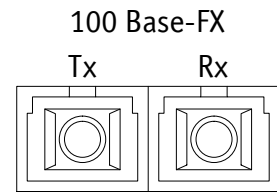


**Pic.6** Ethernet connector

If there is no Ethernet connection, both LEDs are off, if network is connected, one LED is constantly on, the other one flashes when data are transmitted and received over the network. Each device has unique IP and MAC addresses. Device's IP address, subnet mask, and other network parameters can be changed, but even in this case, the device is still available on the original IP address (2.x.x.x) for ping and http requests. Thus, even in case of loss of the new IP address, the device can be access on the network using the original IP address through the web-interface.

## Fiber optics connections

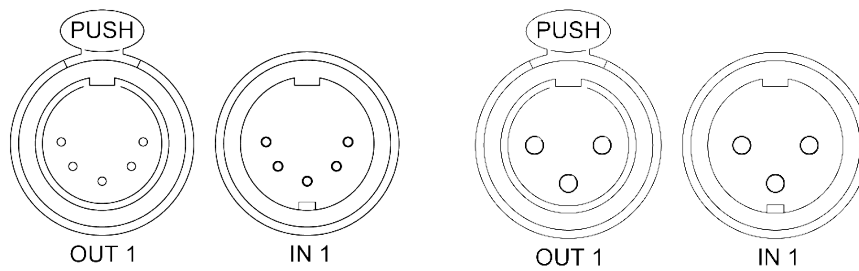
ArtJet devices are equipped with 100 Mbit fiber optics port (duplex SC connectors). Fiber optics port works as another network interface, with functionality similar to Ethernet port. When connected both to fiber optics and ethernet, device acts as a network switch/media converter.



**Рис.7** Fiber optics connectors

## DMX connections

XLR 5-pin connectors are used to connect external master and slave devices to DMX ports. If necessary, the device can be equipped with XLR three-pin connectors. Each port on the 2 and 4-port devices has 2 connectors — one M connector and one F connector, which allow the port to pass-through the DMX bus. On 8 and 16-port devices and ArtGate Compact, each port has single connector of type F. Each port is equipped with internal 120 ohms terminator which can be enabled via web interface.



**Рис.8** XLR(F) и XLR(M) DMX разъемы (5pins/3pins)

## Web interface settings

ArtGate devices support configuring most of their parameters through the Web interface using HTTP protocol (TCP port 80).



# Main settings

To access the settings page enter the IP address of the device to the browser. Main settings page of the ArtGate device will be displayed.

**ArtGate Pro**  
Main settings

Indication:  Normal  Blink  Off

Device name:

Device description:

Device status: Power-on tests successful

ArtNet4 Net address:

| Port  | Mode/merging | Pri. unv. protocol | Pri. unv. number | Sec. unv. protocol | Sec. unv. number | Status           |
|-------|--------------|--------------------|------------------|--------------------|------------------|------------------|
| DMX 1 | Out/HTP      | sACN               | 100              | sACN               | 120              | no new DMX data  |
| DMX 2 | Out/LTP      | ArtNet             | 1                | Disabled           | 0                | transmitting DMX |
| DMX 3 | Out/Auto     | ArtNet             | 2                | Disabled           | 0                | no new DMX data  |
| DMX 4 | Out/Backup   | ArtNet             | 3                | ArtNet             | 23               | transmitting DMX |
| DMX 5 | In           | ArtNet             | 85               | Disabled           | 0                | receiving DMX    |
| DMX 6 | Off          | ArtNet             | 5                | Disabled           | 0                | -                |
| DMX 7 | Out/Trigger  | ArtNet             | 78               | sACN               | 1056             | no new DMX data  |
| DMX 8 | Out/XFade    | ArtNet             | 79               | sACN               | 1053             | no new DMX data  |

Save settings Set default Reset

[www.sundrax.com](http://www.sundrax.com)

**Pic.9**  
Main settings

**Indication** – switching LED indication modes:

- Normal** Indication depending on the current port status
- Blink** Search mode
- Off** LEDs are off

- Device name** Editable device name (up to 17 characters)
- Device description** Editable device description (up to 63 characters)
- Device status** Current state of the device
- ArtNet 4 Net address** Network number (0-127, only for ArtNet 4)

**Ports** – configuration and status for each DMX ports

- Mode/merging** Port direction and merge mode for output
- Pri. unv. protocol** Primary universe protocol
- Pri. unv. number** Primary universe number
- Sec. unv. protocol** Secondary universe protocol
- Sec. unv. number** Secondary universe number
- Status** Current state of the port

To save the changes in main settings, click «**Save settings**».

To restore default values of main settings, click «**Set default**».

To reset to the current saved values of main settings, click «**Reset**».

# Advanced settings

To edit the advanced settings of the device, click on the link **"Advanced"**.

## ArtGate Pro

Advanced settings



Main
Advanced
Network
Profiles
Firmware

RDM devices:

```
DMX 1 - 1 devices found
          ManId: 29B7, DevId: A1153805
DMX 2 - 0 devices found
DMX 3 - 0 devices found
DMX 4 - 0 devices found
DMX 7 - 0 devices found
DMX 8 - 0 devices found
```

DMX signal timing:

|                                  |                                 |                                  |                                |
|----------------------------------|---------------------------------|----------------------------------|--------------------------------|
| Break, usec                      | MaB, usec                       | Data slots                       | Pause, usec                    |
| <input type="text" value="200"/> | <input type="text" value="20"/> | <input type="text" value="512"/> | <input type="text" value="0"/> |

DMX line terminator:

|      |                                     |                                     |                          |                          |                          |                          |                                     |                                     |
|------|-------------------------------------|-------------------------------------|--------------------------|--------------------------|--------------------------|--------------------------|-------------------------------------|-------------------------------------|
| Port | 1                                   | 2                                   | 3                        | 4                        | 5                        | 6                        | 7                                   | 8                                   |
|      | <input checked="" type="checkbox"/> | <input checked="" type="checkbox"/> | <input type="checkbox"/> | <input type="checkbox"/> | <input type="checkbox"/> | <input type="checkbox"/> | <input checked="" type="checkbox"/> | <input checked="" type="checkbox"/> |

Options:

|                                     |                          |                                     |                                     |                                     |
|-------------------------------------|--------------------------|-------------------------------------|-------------------------------------|-------------------------------------|
| Frame integrity mode                | ArtNet Subnet-Unv. mode  | ArtNet 4 support                    | sACN Release                        | KiNet v2                            |
| <input checked="" type="checkbox"/> | <input type="checkbox"/> | <input checked="" type="checkbox"/> | <input checked="" type="checkbox"/> | <input checked="" type="checkbox"/> |

Advanced port settings:

| Port  | Src. timeout, sec               | XFade unv. protocol | XFade unv. number                | XFade unv. channel               | Loop. unv. protocol | Loop. unv. number               |
|-------|---------------------------------|---------------------|----------------------------------|----------------------------------|---------------------|---------------------------------|
| DMX 1 | <input type="text" value="30"/> | Disabled ▾          | <input type="text" value="0"/>   | <input type="text" value="512"/> | ArtNet ▾            | <input type="text" value="80"/> |
| DMX 2 | <input type="text" value="30"/> | Disabled ▾          | <input type="text" value="0"/>   | <input type="text" value="512"/> | ArtNet ▾            | <input type="text" value="81"/> |
| DMX 3 | <input type="text" value="10"/> | Disabled ▾          | <input type="text" value="0"/>   | <input type="text" value="512"/> | Disabled ▾          | <input type="text" value="0"/>  |
| DMX 4 | <input type="text" value="10"/> | Disabled ▾          | <input type="text" value="0"/>   | <input type="text" value="512"/> | Disabled ▾          | <input type="text" value="0"/>  |
| DMX 5 | <input type="text" value="10"/> | Disabled ▾          | <input type="text" value="0"/>   | <input type="text" value="512"/> | Disabled ▾          | <input type="text" value="0"/>  |
| DMX 6 | <input type="text" value="10"/> | Disabled ▾          | <input type="text" value="0"/>   | <input type="text" value="512"/> | Disabled ▾          | <input type="text" value="0"/>  |
| DMX 7 | <input type="text" value="10"/> | ArtNet ▾            | <input type="text" value="130"/> | <input type="text" value="510"/> | Disabled ▾          | <input type="text" value="0"/>  |
| DMX 8 | <input type="text" value="10"/> | ArtNet ▾            | <input type="text" value="130"/> | <input type="text" value="511"/> | Disabled ▾          | <input type="text" value="0"/>  |

Triggers/alarms:

| Input     | Mode            | Delay, msec                       | Action                                       | Status |
|-----------|-----------------|-----------------------------------|--|--------|
| Trigger 1 | Alarm, N.O. ▾   | <input type="text" value="0"/>    | <input type="button" value="Capture scene"/> | open   |
| Trigger 2 | Trigger, N.O. ▾ | <input type="text" value="5000"/> | <input type="button" value="Capture scene"/> | open   |

[www.sundrax.com](http://www.sundrax.com)

### Pic.10

Advanced settings

**RDM devices** – RDM devices list, connected to DMX ports:

**Start discovery**      Searching connected devices  
**Refresh report**      Refresh search/list state detected devices

**DMX signal timing** – sets the parameters of the output DMX signal for all ports:

|                   |                         |
|-------------------|-------------------------|
| <b>Break</b>      | from 4 to 1000 $\mu$ s  |
| <b>MaB</b>        | from 4 to 1000 $\mu$ s  |
| <b>Data slots</b> | 1 to 512                |
| <b>Pause</b>      | from 0 to 10000 $\mu$ s |

**DMX line terminator** – enables (selected) or disables (cleared) termination resistor between D+ and D- wires of DMX line on each port.

**Options** – enable/disable device features.

**Advanced port settings** – settings for advanced features for each port:

|                                      |   |
|--------------------------------------|---|
| <b>Src. timeout</b>                  | Universe source timeout, in seconds     |
| <b>Trigger/XFade unv. protocol</b>   | XFade/Trigger control universe protocol |
| <b>Trigger/XFade unv. number</b>     | XFade/Trigger control universe number   |
| <b>Trigger/XFade control channel</b> | XFade/Trigger control channel           |
| <b>Loop. unv. protocol</b>           | Loop back universe protocol             |
| <b>Loop. unv. number</b>             | Loop back universe number               |

**Triggers/alarms** – (for ArtGates equipped with Trigger inputs)- setup the mode of Trigger inputs:

|                  |  |
|------------------|--|
| <b>Input</b>     | Trigger/Sensor input   |
| <b>Mode</b>      | Operating mode (disabled, trigger/alarm sensor normally open/closed)             |
| <b>Delay, ms</b> | Delay for triggering in milliseconds   |
| <b>Status</b>    | Current status of input (open, closed, active, alarm)                            |
| <b>Action</b>    | Save the current state of all DMX ports as scene to recall on trigger activation |

To save the changes in advanced settings, click **«Save settings»**.

To restore default values of advanced settings, click **«Set default»**.

To reset to the current saved values of advanced settings, click **«Reset»**.

# Network settings

To edit the network settings of the device, click on the link "Network".

**ArtGate Pro**  
Network settings

**Pic. 11**  
Network settings

Main Advanced **Network** Profiles Firmware

MAC address: 00:02:8C:A6:15:3B (secondary IP: 2.161.21.59)

Main IP: 2.161.21.59

Subnetwork mask: 255.0.0.0

Gateway IP: 0.0.0.0

ArtNet UDP port: 6454

sACN UDP port: 5568

Access login: admin

Access password:

Save settings Set default Reset

[www.sundrax.com](http://www.sundrax.com)

|                              |  |
|------------------------------|--|
| <b>MAC address</b>           | Hardware address and secondary (permanent) IP-address of the device  |
| <b>Main IP</b>               | Set the main network address of the device   |
| <b>Subnetwork mask</b>       | Set the mask of the IP-subnet  |
| <b>Gateway IP address</b>    | Set the network address of the gateway<br>(if ability to operate via the Internet is required)                     |
| <b>Art-Net UDP port</b>      | Set the UDP-port for ArtNet protocol   |
| <b>sACN UDP port</b>         | Set the UDP-port for sACN protocol   |
| <b>Access login/password</b> | Login and password for access to web-interface of device.<br>If password is empty, authentication is not performed |

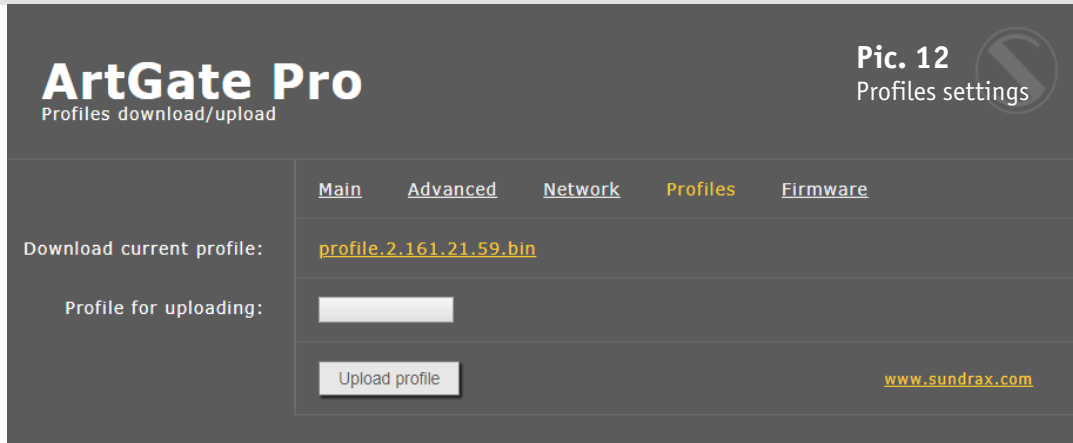
To save the changes in network settings, click «**Save settings**».

To restore default values of network settings, click «**Set default**».

To reset to the current saved values of network settings, click «**Reset**».

# Profiles

For profile operations, click on the link «**Profiles**».



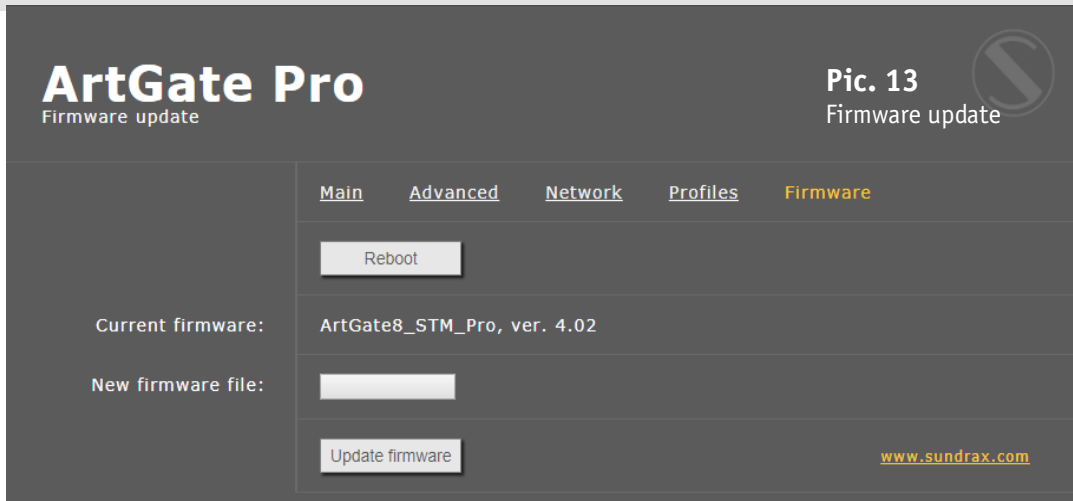
**Pic. 12**  
Profiles settings

**Download current profile**  
**Profile for uploading**  
**Upload profile**

Download the current settings as a file  
Select the file of previously saved profile  
To upload the selected profile in the device

# Firmware update

To update firmware of the device, click on the link «**Firmware**».



**Pic. 13**  
Firmware update

**Reboot**  
**Current firmware**  
**New firmware file**  
**Update firmware**

Device reboot button  
Current firmware name and version  
Select firmware file to upload to the device  
Upload the selected firmware file

After software update downloading, need to accept updating by clicking button «**Reboot**».

# Technical maintenance

Maintenance, search and troubleshooting should be performed by service personnel. The device should be free from dirt, dents, connecting cables and wires must be intact and securely fastened.

## Notes



---

Sundrax Electronics  
6008, First Central 200  
2 Lakeside Drive, Park Royal, London  
NW10 7FQ United Kingdom  
+ 44 (0) 208 991 33 19  
office@sundrax.com  
www.sundrax.com





