



ArtGate Compact

Bidirectional converter, booster, intelligent merger

Ultra-small DMX<->ArtNet/sACN converter for installation into wall sockets, stage equipment, lighting fixtures. ArtGate Compact converts DMX512 to ArtNet/sACN in both directions. Various merging modes available: HTP, LTP, AUTO, PRIORITY, OVERLAY. Supplied in 2-port modification (inputs or outputs). Compatible with any hardware and software supporting ArtNet and sACN protocols. Configuration is performed through web-based management page. Available as OEM board to be integrated into your fixtures and installations.



Application

Minimum loading time, fastest recovery after short power failure

Master IP that never gets lost

Natural heat convection, no fans or coolers, no vent slots – full protection from dust and smoke increases product lifetime

Maximum surge protection – power supply optimized for voltage from 100 to 315 V

Galvanic isolation

Simple user-friendly web interface

Configurable DMX port direction



Supports RDM



UltraStart



Galvanic Isolated Ports



Power over Ethernet



DMX Bi-Direct



2 IP addresses per Device



User-Friendly Web Interface

Merging Options

HTP: highest takes precedence

LTP: latest takes precedence

AUTO: last modified takes precedence – smart merging mode

PRIORITY: for sACN streams with priority tag, console with the highest priority for a given Universe will be in charge

BACKUP: any network universe or local static scene can be selected for outputting when main source fails

TRIGGER and X-FADE: switch dynamically between lighting

Application

Convert DMX512 into ArtNet and sACN protocols in both directions to transmit DMX data through Ethernet LAN

Transmit more DMX streams with less cables

Lighting control and management through single Ethernet network

Convert mapped video content from mapping software into DMX streams

Ensure interfacing between modern stage lighting software and DMX lighting

Real-time control of video projectors and laser units supporting ArtNet or sACN from DMX console

ArtGate Compact

Bidirectional converter, booster, intelligent merger

Version: 3.10
16 Apr 2021

Technical Specifications

Mechanical

Housing: no (OEM)

Dimensions, mm: 60(D) x 60(H) x 55(W)

Mass: 0.1 kg

Mounting: Outlet box

Power & Electrical

Power supply: PoE

Input Power (max): 1 W

Environmental

Operating Temperature: 0...+60°C

Storage Temperature: -50...+70°C

Operating Relative Humidity (max): 95%

IP Rating: IP 20

Certification: CE, RoHS

Warranty: 36 month (return to base)

Control / Data Connections

Supported protocols: ArtNet I, II, III, IV/ sACN, DMX512, RDM

DMX data refresh rate: 44 Hz

Inputs / Outputs

DMX ports: 2

DMX connectors: 1 XLR(M), 1 XLR(F) (5 pins)

Ethernet port: 10/100 Base-TX

Ethernet connector: LSA-PLUS® connector

Configuration / Indication

Setup: web-interface

Indication: LEDs for DMX and Ethernet activity

Package Contents

ArtGate Compact

Product Line

Name

ArtGate Compact

Modification

2 DMX outputs (5-pin), 1 Ethernet port

Product code

AGC-5-2DE



Compact
series

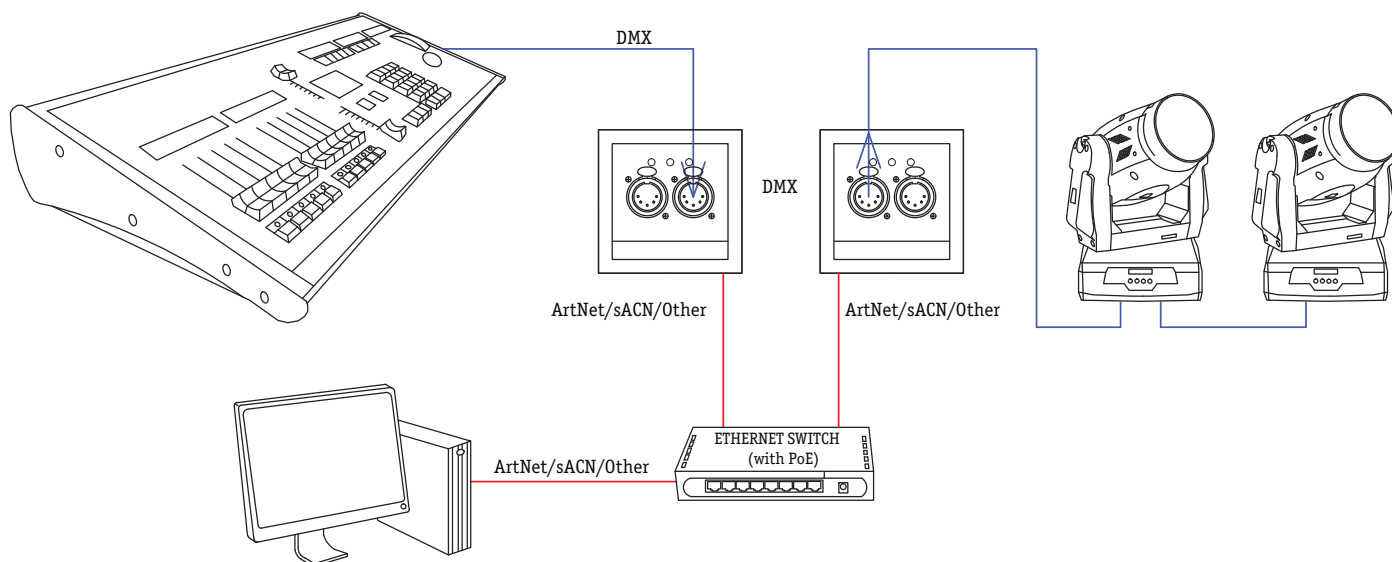
+ 44 (0) 208 991 33 19
office@sundrax.com
www.sundrax.com

ArtGate Compact

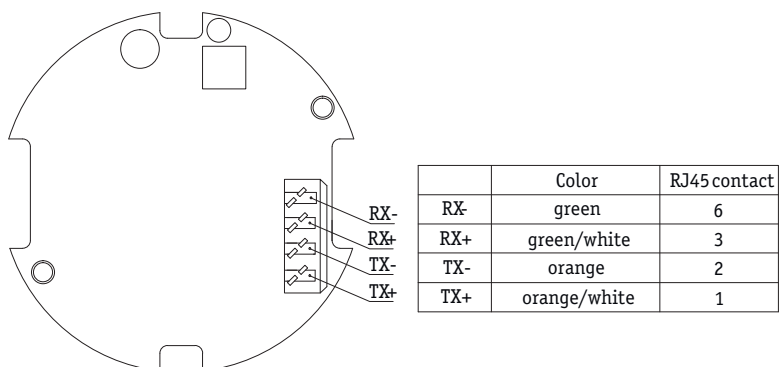
Bidirectional converter, booster, intelligent merger

Version: 3.10
16 Apr 2021

Connection Scheme



Ethernet Connection



Disclaimer

To the best of our knowledge, the technical data contained herein is true and accurate at the date of issuance and is subject to change without prior notice. No liability accepted for errors or omissions. Always make sure to use the most recent release and contact Sundrax Electronics to verify correctness before placing your order.

Accessories

Name

- Cover plate for EU sockets
- Cover plate for GB sockets
- Cover plate for US sockets
- Adapter (5-pin)M - (3-pin)F

Product code

- DMX-AGC-2-EU
- DMX-AGC-2-GB
- DMX-AGC-2-US
- DMX-ACC-5M3F



Compact
series

+ 44 (0) 208 991 33 19
office@sundrax.com
www.sundrax.com