



PixelGate Arma

Cascadable direct ArtNet/sACN to SPI LED pixel strip driver

ArtNet/sACN to SPI controllers for pixel mapped indoor and outdoor LED strip installations. Two Ethernet ports and integrated switch provide cascadability. Directly convert up to 16 DMX universes into SPI to control 2,730 RGB pixels supporting up to 8 separate LED outputs. By default support WS28xx LEDs with additional LED types available by remote firmware update. Power supplied to LEDs separately, from 5V to 48V. Outputs are configurable through web-based management page. Tough and compact waterproof enclosure (IP65) specifically crafted for outdoor use.

Advantages

Cascadable through integrated switch and 2 Ethernet ports

Support ArtNet and sACN

LEDs with power supply up to 48V

Work with two-wire and three-wire strips

Support various LED types

Natural heat convection, no fans or coolers, no vent slots – full protection from dust and smoke increases product lifetime

Power source 5/12/24/48 VDC



User-Friendly Web Interface



UltraStart



Natural Heat Convection



Highest Ingress Protection

Application

Control drivers of LED pixel strips by converting ArtNet/sACN to SPI

Drivers for LED light curtains with individual pixel control

Drivers for LED strip installations with individual pixel control

Drivers for mapped LED strip screens

Mapping of moving images on free-form objects

PixelGate Arma

Cascadable direct ArtNet/sACN to SPI LED pixel strip driver

Version: 2.10
21 Jul 2020

Technical Specifications

Mechanical

Housing: solid case

Material: metal

Dimensions, mm: 115(D) x 55(H) x 90(W)

Mass: 0.85 kg

Mounting: surface, truss

Power & Electrical

Power supply: 5/12/24/48 VDC

Environmental

Operating Temperature: -40...+70°C

Storage Temperature: -50...+80°C

Operating Relative Humidity (max): 100%

IP Rating: IP65 for outdoor use

Certification: CE, RoHS

Warranty: 36 month (return to base)

Control / Data Connections

Control interface: ArtNet I, II, III, IV/ sACN

Channels: 8 SPI

Supported LEDs: WS2812B, WS2811, TM1809, UCS1903, WS2801, APA102, LPD8806, WS2818, WS2812S, UCS1903B, UCS1909, UCS1909B, UCS1912, UCS1912B, UCS2903, UCS2903S, UCS2909, UCS2912, INK1002, INK1003, LX1003, SM16703, WS2813, WS2813A, WS2813B, WS2813C, WS2813D, TM1803, TM1804, TM1812, TM1814, TM1829, WS2803, DM413, LPD8803, LPD6803, LPD6813, LPD1101, UCS5903, UCS6909, UCS6912, UCS7009, D705, D707, D708

Inputs / Outputs

LED outputs: up to 8, TTL 3/5V

Ethernet ports: 2 (10/100 Base-TX)

Ethernet connectors: 2 (LSA-PLUS® connectors)

Configuration / Indication

Setup: web

Indication: LED for Ethernet activity

Package Contents

PixelGate Arma

Product Line

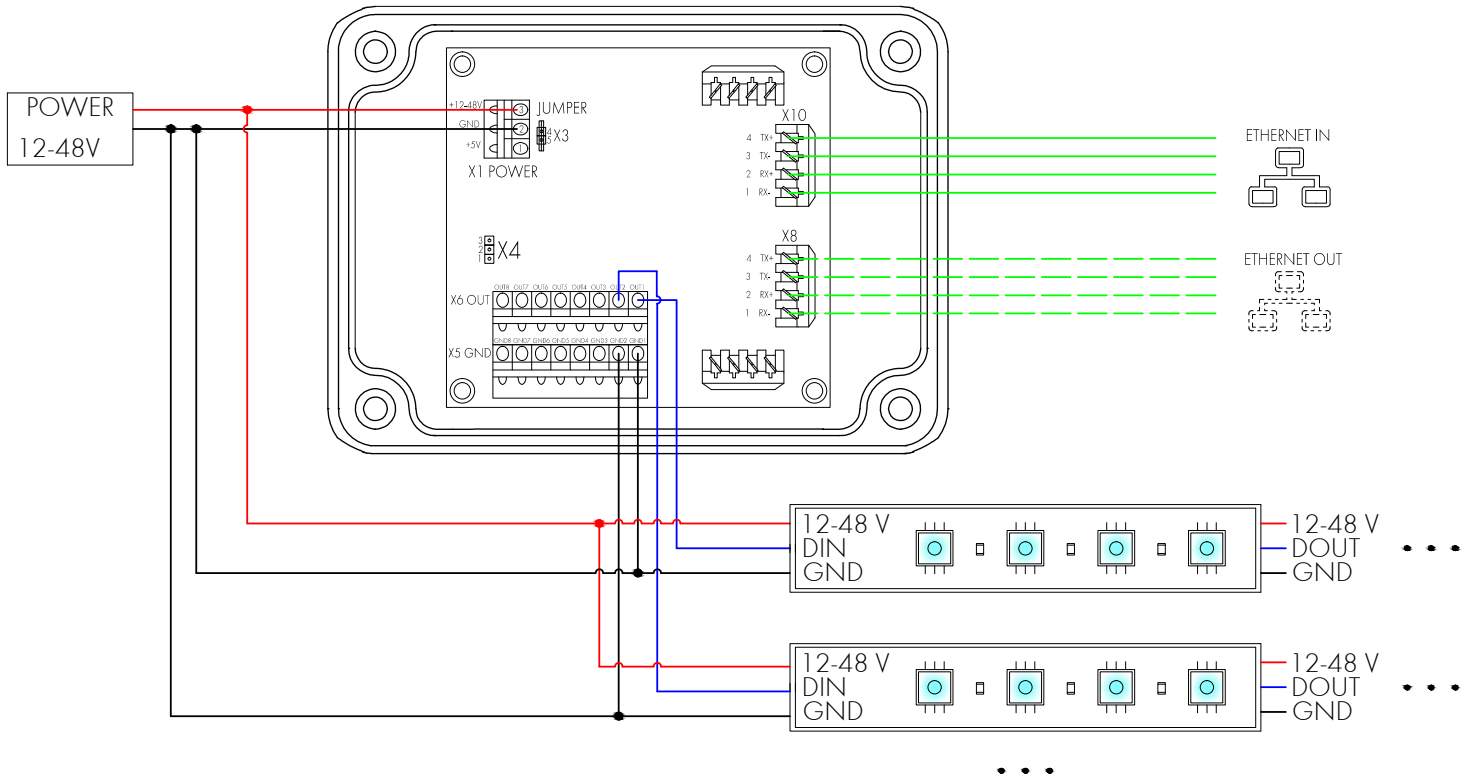
Name	Modification	Product code
PixelGate Arma	8 LED ports, 2 Ethernet ports (2730 RGB pixels)	PXA-0-2E8SPI

PixelGate Arma

Cascadable direct ArtNet/sACN to SPI LED pixel strip driver

Version: 2.10
21 Jul 2020

Connection Scheme



When using **12-48V** power source, set the jumper at **X3** connector.
When using **5V** power source, jumper is **not** installed.

When using **5V** output signal: set the jumper at **1 and 2** pins of **X4** connector.
When using **3.3V** output signal: set the jumper at **2 and 3** pins of **X4** connector.



ATTENTION!

Incorrect jumper connection may cause device malfunction.

Accessories

Name

Truss mounting kit (Solid, Arma)

Product code

DMX-MCA-1-113