

DATASHEET BLACKWAVE PIXEL BAR



GENERAL

Product name	BW Pixel bar
PN	BW bar 1m: BW-100
	BW bar 50cm: BW-50

MECHANICAL

Base Material	Black anodised aluminum
Cover	Plexi cover, replaceable (5 different options)
Length	Different length options: 1m or 50 cm
Ip rating	IP66
Mounting	Multiple bars are mechanically interconnectable with connection brackets (different types available see accessories list: straight,L,T, X,...)
	Safety eye included
	Mounting blocks insertable at the back, with M6 thread
	Metal end caps, removable with 2 screws to replace covers

LEDS

Led /pixel count	50 leds / meter, 1m bar: 50 leds , 50cm bar: 25 leds 20mm pitch
Led type	RGBW led
Dmx channels	4 dmx channels per pixel (RGBW) BW-100: 200 dmx channels BW-50: 100 dmx channels

ELECTRICAL

Voltage	24V
Power	1 meter: 13W, 50 cm: 6,5W
Connections	M12-4pin "PixlBus" Input and output
Max operating temperature	min 40°C up to 40°C

FUNCTIONS

Auto address and discovery function

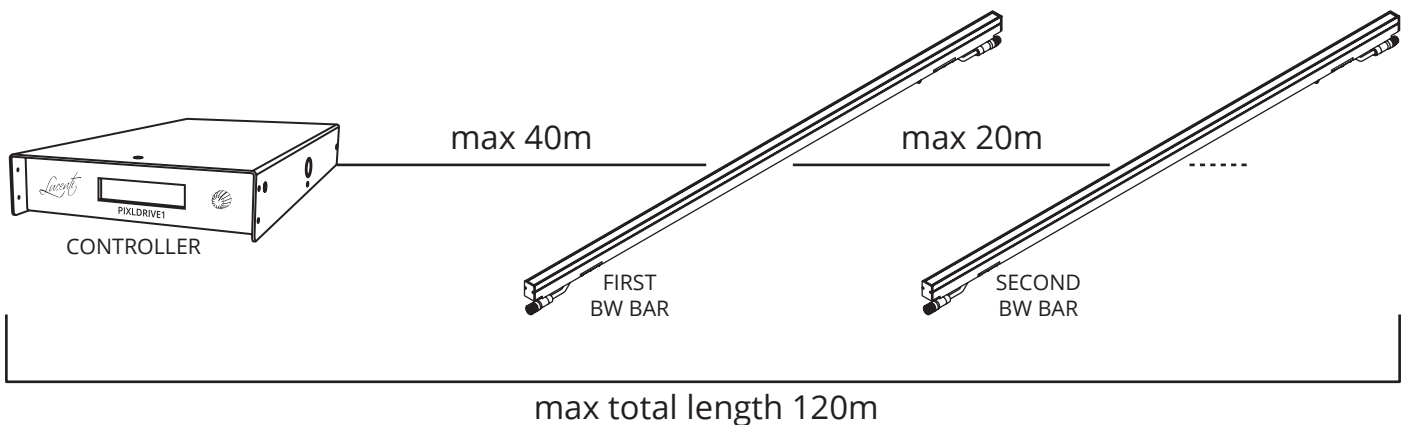
Redundant pass through data system

Individual pixel control

STANDARD KIT

Consisting of

- BW bar 100 or BW bar 50
- I connector (straight connection bracket: BW-M1)
- Mounting block M6 with curled nut: BW-M0



BW PIXEL BAR DIMENSIONS

