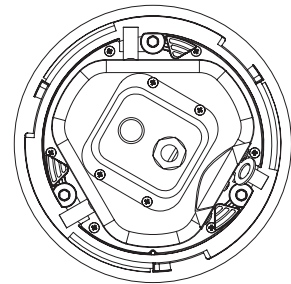




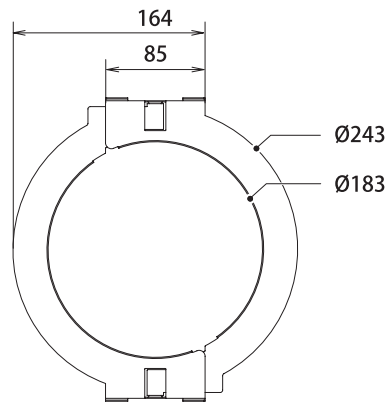
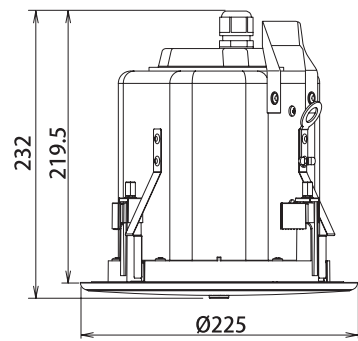
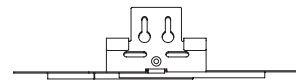
**Dimensions**

Unit: mm

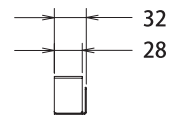
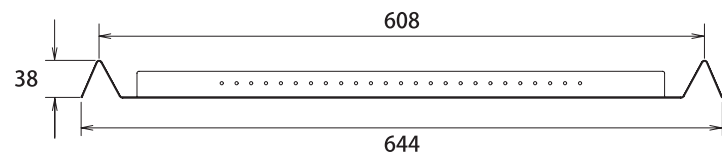
VXC4-VA/VXC4-VAW



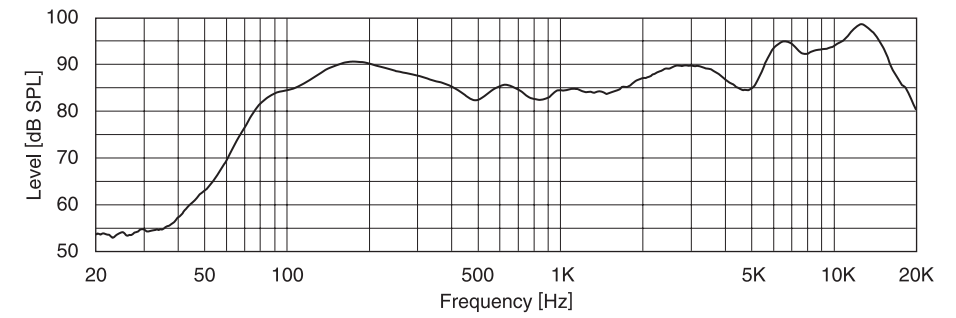
O-Ring




Tile Rail



**On-axis Frequency Response (1W / 1m)**



 <b>0359</b>	
Yamaha Corporation Nakazawa-cho 10-1, Naka-ku, Hamamatsu, Japan 430-8650 14 0359-CPR-00405	
EN 54-24 0359-CPR-00405 Loudspeaker for voice alarm systems for fire detection and fire alarm systems for buildings	
Essential characteristics	Performance
Performance under fire condition	Pass
Operational reliability	Pass
Durability of operational reliability: temperature resistance	Pass
Durability of operational reliability: humidity resistance	Pass
Durability of operational reliability: corrosion resistance	Pass
Durability of operational reliability: impact and vibration resistance	Pass

